

RAIN RN 160 PLUS

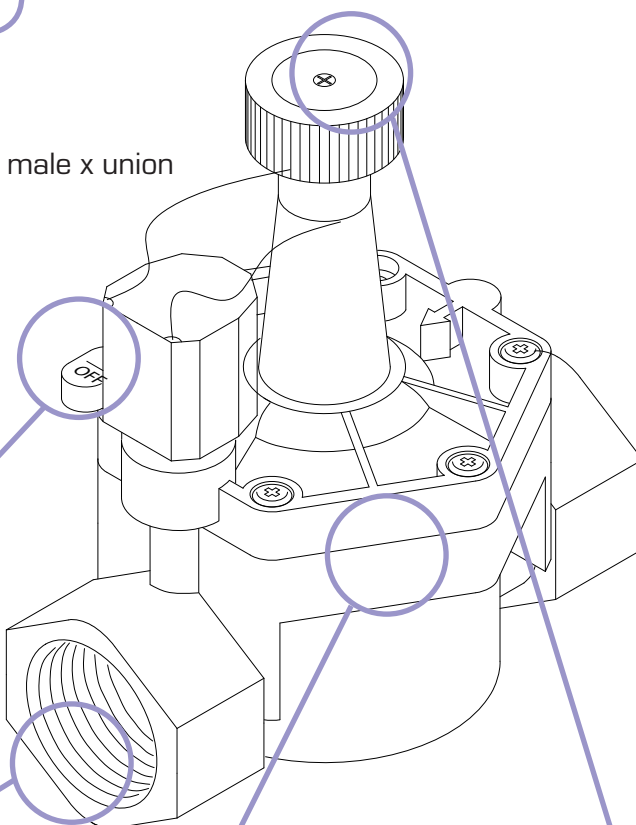
Rain RN160 PLUS is the family of electric valves for professional landscape and agricultural applications. This family is an historical product of Rain and its reliability, strength and high performances are well known in the market and have been even improved year after year. This line of electric valves can count on 6 (six) versions, from the 1" up to 1"1/4, 1"1/2 and 2" with male thread or female and even with the unique Rain solution of the union connection.

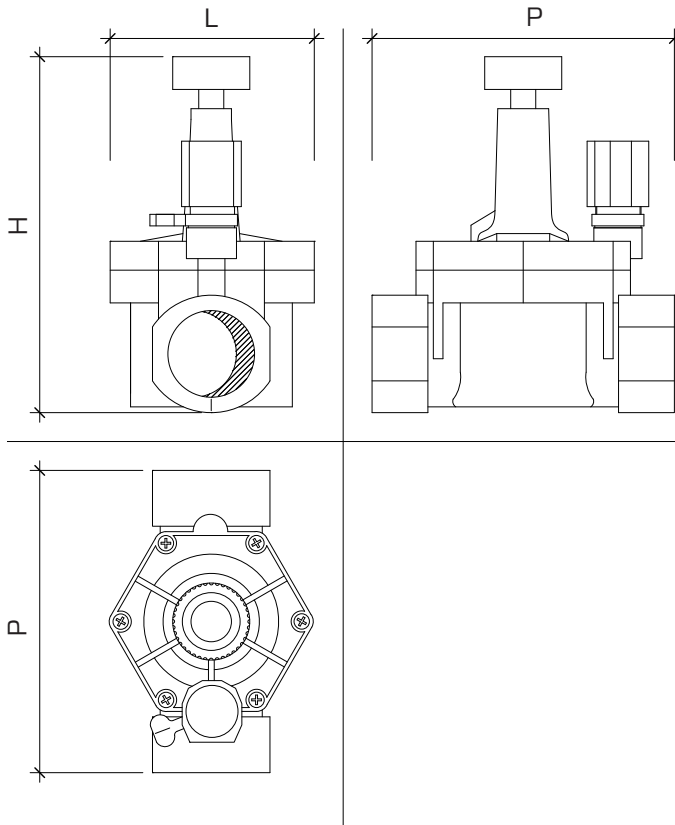
N.B.: RN160 PLUS valves are also available in NPT thread for all the american and latin-american markets.



TECHNICAL FEATURES

- 1 Bleed handle for manual opening
- 2 Different threads available: female, male x union
- 3 Assembled diaphragm
- 4 Flow control adjustment handle available





Dimensions

	1" F	1"1/4 F	1"1/2 F	2" F	1"1/2 MxU	2" MxU
H	18.4	18.4	18.4	18.4	18.4	18.4
P	14.5	14.8	15.7	18.3	16.5	17.5
L	10.6	10.6	10.6	10.6	10.6	10.6

Technical Features

- PA 6 30% fiberglass
- Self cleaning stainless-steel metering pin
- Stainless-steel diaphragm differential spring for smooth closing
- Solenoid certificate CE, IP 68 9
- PN12 tested piece by piece at 14 bar
- Bleed handle for manual opening with internal bleed
- Energy efficient solenoid 0,2 amp, 4,8 VA
- Flow Control

Operating Conditions

- Pressure: min 1.0 bar - max 12.0 bar
- Temperature: +4° C/70° C

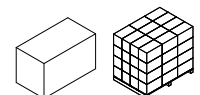
Versions Available

- Standard solenoid: 24 VAC
- Available solenoid: 12 VDC; 24 VDC; 110 VAC; 9 VDC Latching
- On request are also available NPT thread versions: 1"1/2 NPT W/FC - 2" NPT W/FC

LOSS OF CHARGE*

	1"	1"1/4	1"1/2	2"
75 l/min	0.20	0.20		
100 l/min	0.27	0.20	0.20	0.16
125 l/min	0.32	0.21	0.20	0.16
150 l/min	0.42	0.27	0.20	0.16
175 l/min	0.58	0.30	0.21	0.18
200 l/min	0.75	0.40	0.25	0.21
225 l/min		0.48	0.29	0.23
250 l/min		0.58	0.34	0.28
375 l/min		0.69	0.39	0.32
300 l/min			0.45	0.38
325 l/min				0.41

*In bar.



Cod.	Models	Carton Qty	Pallet Qty
100.5700911	RN 160 PLUS 1" F W/FC	12	264
100.5701211	RN 160 PLUS 1"1/4 F W/FC	12	264
100.5701511	RN 160 PLUS 1"1/2 F W/FC	12	264
100.5701711	RN 160 PLUS 2" MxU W/FC	8	176
100.5701516	RN 160 PLUS 1"1/2 MxU W/FC	12	264
100.5701716	RN 160 PLUS 2" MxU W/FC	8	176